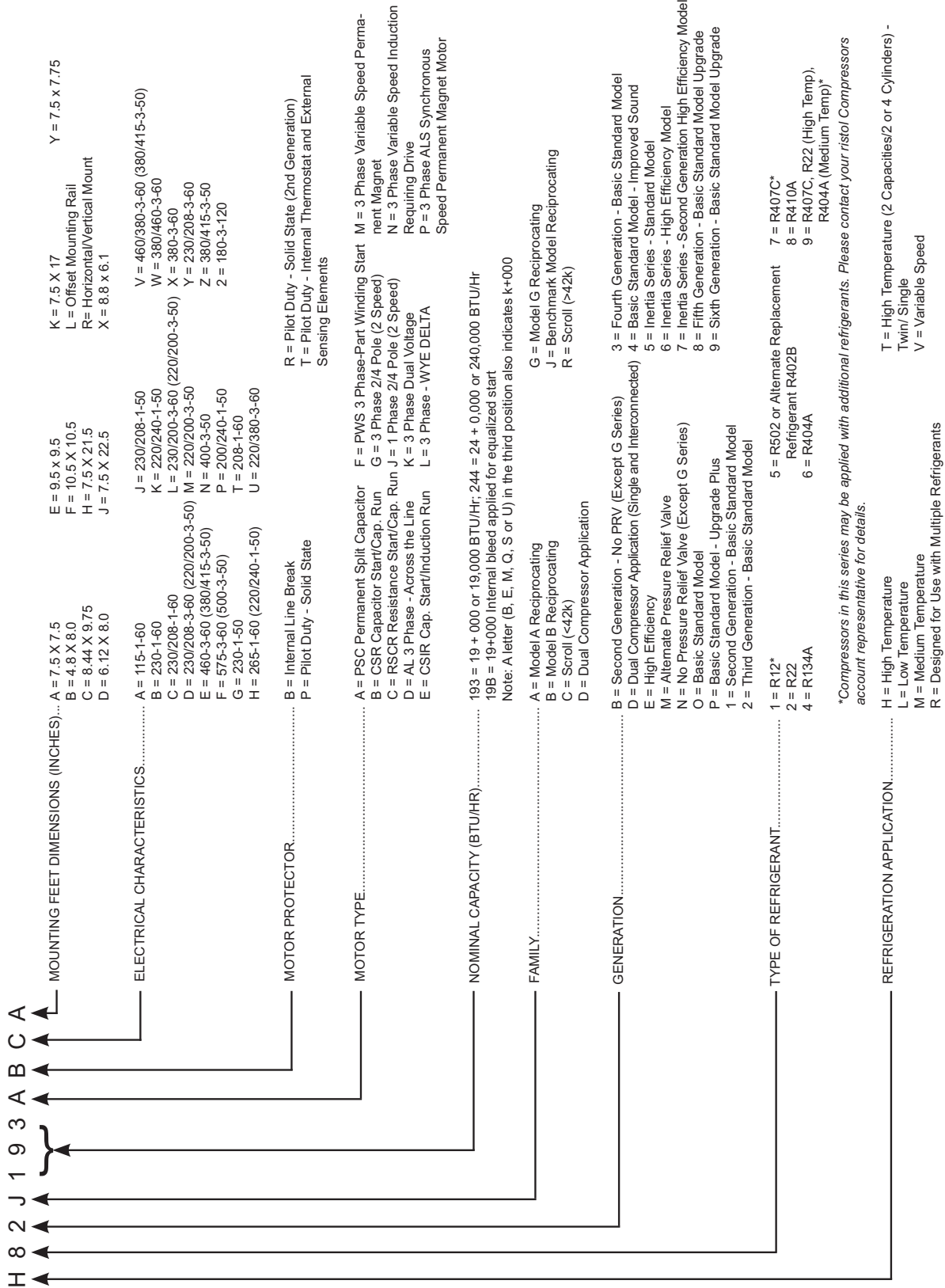


COMPRESSOR MODEL NUMBER SYSTEM

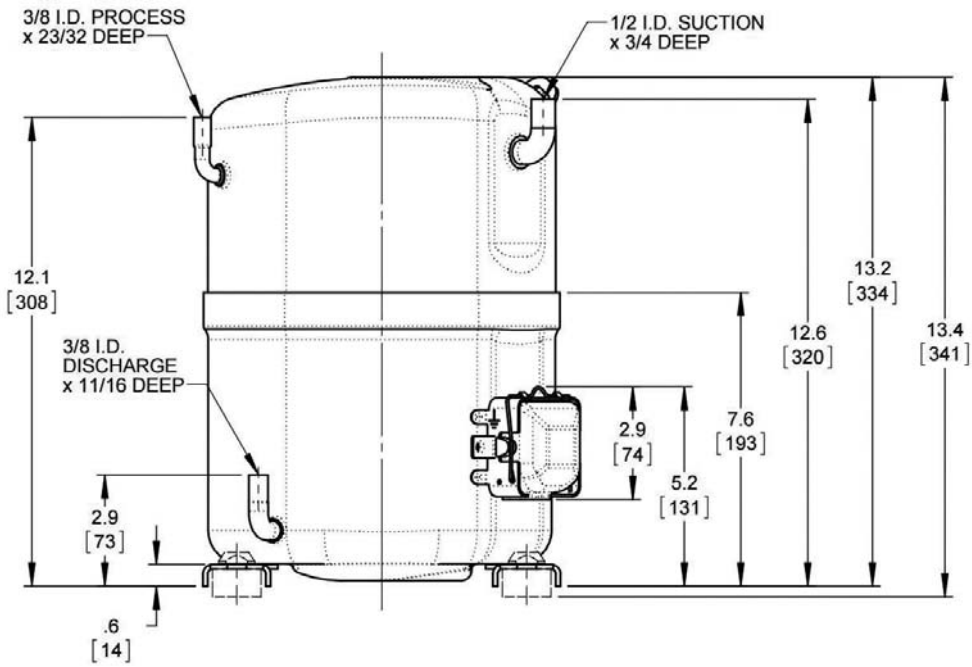


Compressors

BRISTOL COMPRESSORS

H2EB Series

SOURCE 1 PART NO.	BRISTOL MODEL NO.	CAPACITY BTUH	V-PH-HZ	RLA	LRA	EER	SUCT ID (IN.)	DISC ID (IN.)	SUCT HT (IN.)	DISCH HT (IN.)	OVAL HT (IN.)	CCH	RUN CAP	START CAP	SHIP WT. (LBS.)	MLP \$
S1-H2EB18SABCB	H2EB-18SABCB	17600	230-208/1/60	10.2	60	9.1	5/8 E	3/8 E	12.094	2.859	12.516	NO	25/370	145-175/250	59.58	
S1-H2EB24SABCB	H2EB-24SABCB	23600	230-208/1/60	13	72	9.4	5/8 E	3/8 E	12.719	2.859	13.141	NO	30/370	145-175/250	63.08	
S1-H2EB283ABCB	H2E-B283ABCB	28100	230-208/1/60	13.5	85	9.1	5/8 E	3/8 E	12.719	2.859	13.141	NO	45/370	145-175/25	70.68	

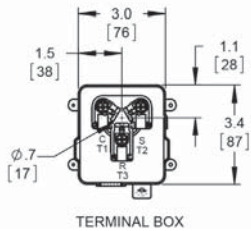
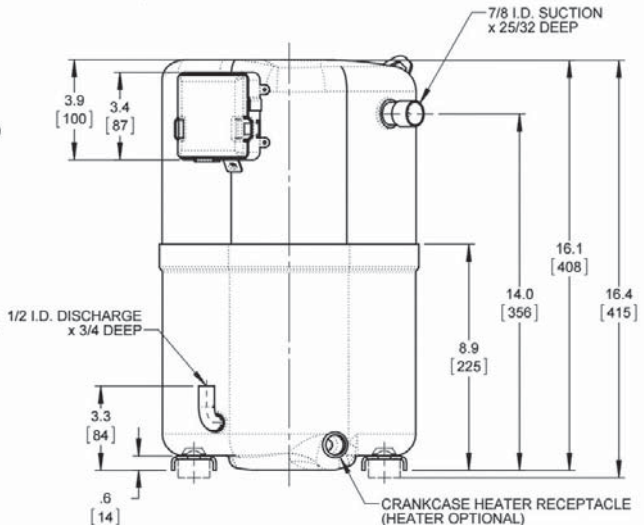
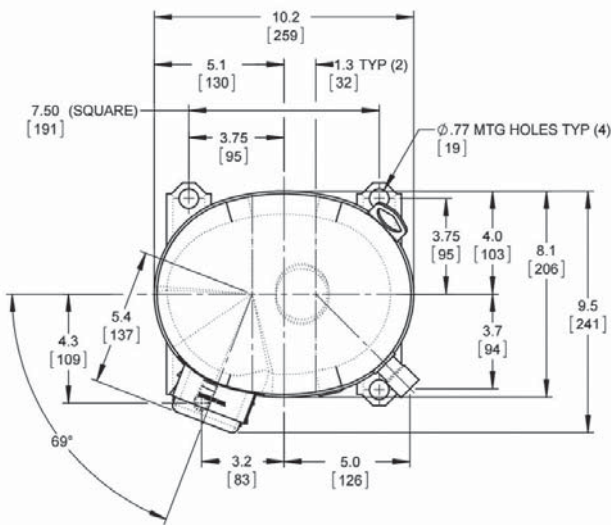


Compressors

BRISTOL COMPRESSORS

H22A Series

SOURCE 1 PART NO.	BRISTOL MODEL NO.	CAPACITY BTUH	V-PH-HZ	RLA	LRA	EER	SUCT ID (IN.)	DISC ID (IN.)	SUCT HT (IN.)	DISCH HT (IN.)	OVAL HT (IN.)	CCH	RUN CAP	START CAP	SHIP WT. (LBS.)	MLP \$
S1-01504789001	H22A503ABCA	49000	208/230-1-60	22.3	138	10.0	7/8	1/2	14.00	3.312	16.406	YES	40/440	135-155/330	92.0	
S1-01504790001	H22A503DBEA	49000	460-3-60	6.8	53	10.0	7/8	1/2	14.00	3.312	16.406	YES	N/A	N/A	84.0	
S1-01504791001	H22A503DBFA	49000	575-3-60	5.5	43	10.0	7/8	1/2	14.00	3.312	16.406	YES	N/A	N/A	84.0	
S1-01504792001	H22A503DBLA	49000	230/200-3-60	13.7	106	10.0	7/8	1/2	14.00	3.312	16.406	YES	N/A	N/A	84.0	
S1-01504793001	H22A543ABCA	53419	208/230-1-60	24.1	138	10.3	7/8	1/2	14	3.312	16.4	YES	45/440	135-155/330	92.0	
S1-01504794001	H22A543DBEA	55000	460-3-60	7.3	53	10.5	7/8	1/2	14	3.312	16.4	YES	N/A	N/A	84.0	
S1-01504795001	H22A543DBFA	53419	575-3-60	5.8	43	10.5	7/8	1/2	14	3.312	16.4	YES	N/A	N/A	84.0	
S1-01504797001	H22A563DBLA	55600	230/200-3-60	15.3	124	10.4	7/8 S	1/2 E	14	3.312	16.125	YES	N/A	N/A	93.29	
S1-01504798001	H22A583ABCA	57122	208/230-1-60	26.6	178	10.19	7/8	1/2	14	3.312	16.4	YES	60/370	270-324/330	97.5	
S1-01504799001	H22A583DBEA	58083	460-3-60	7.9	62	10.81	7/8	1/2	14	3.312	16.4	YES	N/A	N/A	87.5	
S1-01504800001	H22A623ABCA	60795	208/230-1-60	28.2	178	10.3	7/8	1/2	14	3.312	16.4	YES	55/440	135-155/330	97.5	
S1-01504801001	H22A623DBEA	58885	460-3-60	8.5	62	9.78	7/8	1/2	14	3.312	16.4	YES	N/A	N/A	87.5	
S1-01504802001	H22A623DBFA	60795	575-3-60	6.8	50	10.5	7/8	1/2	14	3.312	16.4	YES	N/A	N/A	87.5	
S1-01504803001	H22A623DBLA	60795	230/200-3-60	17	124	10.5	7/8	1/2	14	3.312	16.4	YES	N/A	N/A	87.5	



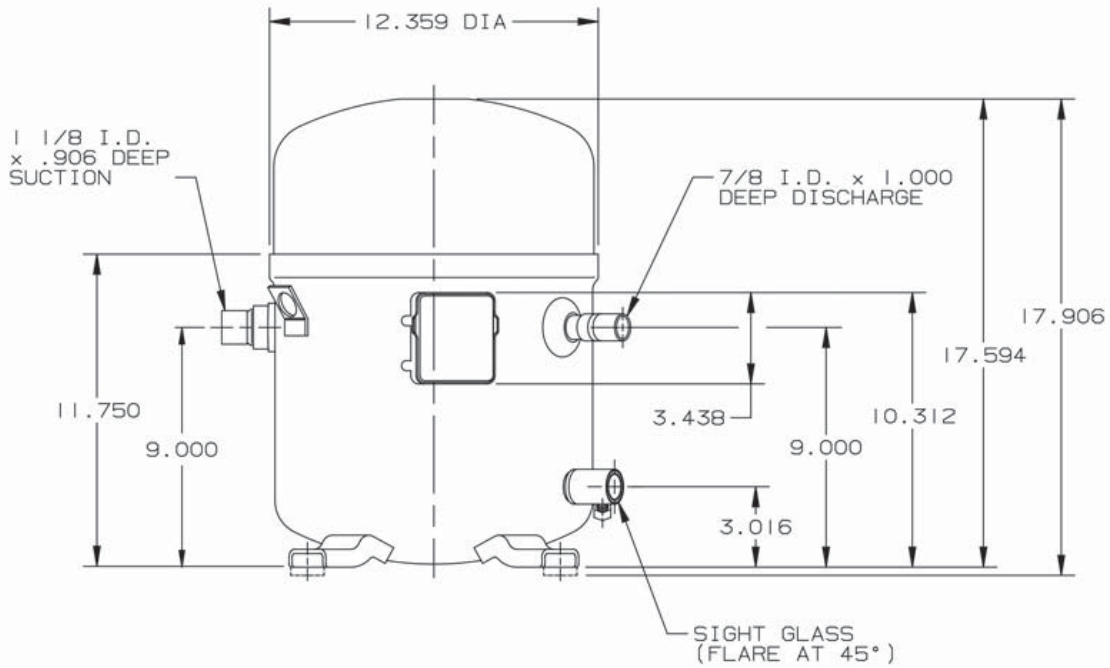
*** NOTE:** When substituting compressors always check the capacitor MFD and voltage (when required) and replace if necessary. the capacitor **MUST** be the proper MFD and voltage for the compressor.

Compressors

BRISTOL COMPRESSORS

H22G Series

SOURCE 1 PART NO.	BRISTOL MODEL NO.	CAPACITY BTUH	V-PH-HZ	RLA	LRA	EER	SUCT ID (IN.)	DISC ID (IN.)	SUCT HT (IN.)	DISCH HT (IN.)	OVAL HT (IN.)	CCH	RUN CAP	START CAP	SHIP WT. (LBS.)	MLP \$
S1-H22G124DBDE	H22G124DBDE, ROTOLock	121500	230/208-3-60	36	205	10.1	1-3/4 X 12	1-1/4 x 12	9	9	18.344	YES	N/A	N/A	167.09	
S1-H22G184DPEF	H22G184DPEF, ROTOLock	183200	460-3-60	25.9	117	10.3	1-3/4 x 12	1-1/4 x 12	11.297	11.797	21.750	YES	N/A	N/A	266.1	
S1-H22G184GPEF	H22G184GPEF, ROTOLock	182300	460-3-60	25.6	124	10.3	1-3/4 X 12	1-1/4 x 12	11.297	11.797	21.750	YES	N/A	N/A	266.1	

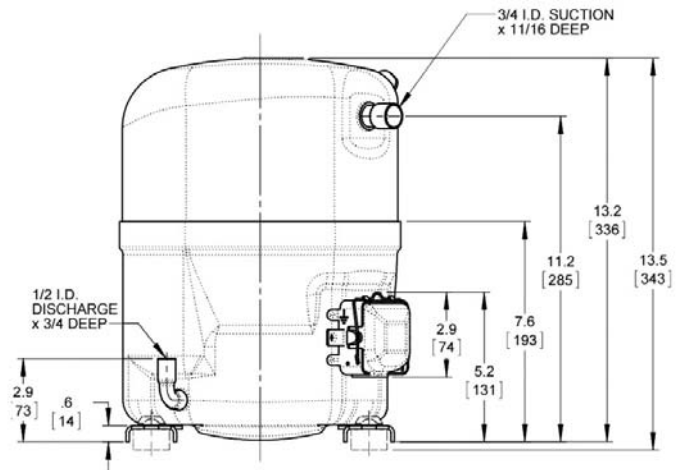
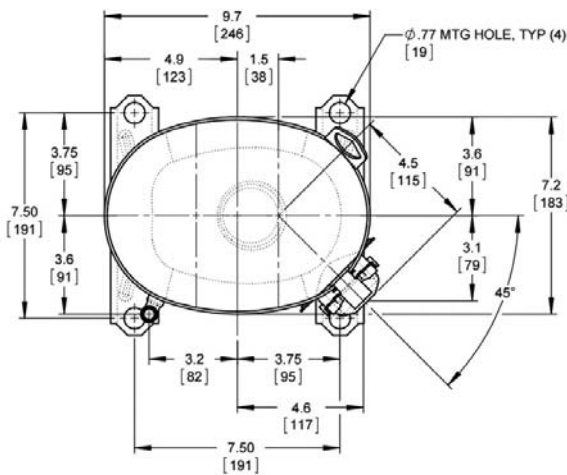


Compressors

BRISTOL COMPRESSORS

H22J Series

SOURCE 1 PART NO.	BRISTOL MODEL NO.	CAPACITY BTUH	V-PH-HZ	RLA	LRA	EER	SUCT ID (IN.)	DISC ID (IN.)	SUCT HT (IN.)	DISCH HT (IN.)	O'VALL HT (IN.)	CCH	RUN CAP	START CAP	SHIP WT. (LBS.)	MLP \$
S1-01504640004	H22J133ABCA	13300	230-208/1/60	6	48	10.4	3/4 S	1/2 E	11.234	2.875	13.25	YES	30/370	161-193/250	72.98	
S1-01504641004	H22J153ABCA	15485	208/230-1-60	6.7	48	10.81	3/4	1/2	11.234	2.875	13.5	YES	30/370	161-193/250	63.0	
S1-01504642004	H22J183ABCA	18265	208/230-1-60	7.4	48	11.02	3/4	1/2	11.234	2.875	13.5	YES	30/370	161-193/250	63.0	
S1-01504643004	H22J183ABHA	18100	265/1/60	6.5	44	10.7	3/4 S	1/2 E	11.234	2.875	13.25	YES	25/440	88-108/330	73.08	
S1-01504644004	H22J203ABCA	22500	230-208/1/60	8.6	60	10.8	3/4 S	1/2 E	11.734	2.875	13.75	YES	30/370	145-175/250	71.58	
S1-01504645004	H22J223ABCA	22622	208/230-1-60	9.6	48	11.02	3/4	1/2	11.234	2.875	14.03	YES	30/370	145-175/250	64.5	
S1-01504646001	H22J223ABHA	22700	265/1/60	8.2	58	11	3/4 S	1/2 E	11.734	2.875	13.75	YES	30/440	88-108/330	73.5	
S1-01504647001	H22J253DBLA	23530	230/200-3-60	3.2	58	11.12	3/4	1/2	11.734	2.875	14	YES	N/A	N/A	63.0	
S1-01504648001	H22J253DBVA	23613	460/380-3-60	3.4	30	11.12	3/4	1/2	11.734	2.875	14	YES	N/A	N/A	64.5	
S1-01504649001	H22J253ABCA	24214	208/230-1-60	9.6	60	11.23	3/4	1/2	11.734	2.875	14	YES	35/370	145-175/250	67.0	
S1-01504650001	H22J253ABHA	23600	265/1/60	8.3	58	11.2	3/4 S	1/2 E	11.734	2.875	13.75	YES	30/440	88-108/330	75.58	
S1-01504651001	H22J293DBFA	28800	575/3/60	3.7	32	11	3/4 S	1/2 E	12.2	2.9	14.20	YES	N/A	N/A	77.48	
S1-01504652001	H22J293DBLA	27964	230/200-3-60	7.8	68	11.23	3/4	1/2	11.734	2.875	14	YES	N/A	N/A	66.5	
S1-01504653001	H22J293DBVA	27769	460/380-3-60	4.1	38	10.91	3/4	1/2	11.734	2.875	14	YES	N/A	N/A	66.0	
S1-01504654001	H22J293ABCA	28833	208/230-1-60	11.8	73	11.23	3/4	1/2	11.734	2.875	14	YES	35/370	161-193/250	67.5	
S1-01504655001	H22J333DBFA	33032	575-3-60	3.7	32	11.02	3/4	1/2	12.234	2.875	14.5	YES	N/A	N/A	70.5	
S1-01504656001	H22J333DBLA	32352	230/200-3-60	9	78	11.33	3/4	1/2	12.234	2.875	14.5	YES	N/A	N/A	71.0	
S1-01504657001	H22J333DBVA	31600	460/380-3-60	4.5	40	11.12	3/4	1/2	12.234	2.875	14.5	YES	N/A	N/A	71.0	
S1-01504658001	H22J333ABCA	31946	208/230-1-60	13	62	11.23	3/4	1/2	12.234	2.875	14.5	YES	40/370	145-175/250	72.0	
S1-01504659001	H22J363DBFA	34093	575-3-60	3.9	32	10.81	3/4	1/2	12.234	2.875	14.5	YES	N/A	N/A	71.0	
S1-01504660001	H22J363DBLA	35049	230/200-3-60	9.6	78	11.02	3/4	1/2	12.234	2.875	14.5	YES	N/A	N/A	71.0	
S1-01504661001	H22J363DBVA	34352	460/380-3-60	4.9	40	10.81	3/4	1/2	12.234	2.875	14.5	YES	N/A	N/A	71.0	
S1-01504767001	H22J363ABCA	35681	208/230-1-60	14.4	86	11.23	3/4	1/2	12.234	2.875	14.5	YES	45/370	145-175/250	73.5	
S1-01504768001	H22J363ABHA	35500	265/1/60	13	90	10.8	3/4 S	1/2 E	12.234	2.875	14.25	YES	35/440	88-108/330	80.08	
S1-01504769001	H22J383DBFA	37517	575-3-60	4	36	11.7	3/4	1/2	13.969	4.125	15.8	YES	N/A	N/A	80.0	
S1-01504770001	H22J383DBLA	37517	230/200-3-60	10.2	88	11.5	3/4	1/2	13.969	4.125	15.8	YES	N/A	N/A	80.0	
S1-01504771001	H22J383DBVA	37517	460/380-3-60	5	42	11.7	3/4	1/2	13.969	4.125	15.8	YES	N/A	N/A	80.0	
S1-01504772001	H22J383ABCA	37829	208/230-1-60	14.9	86	11.54	3/4	1/2	13.969	4.125	15.8	YES	45/370	189-227/250	84.0	
S1-01504773001	H22J413DBEA	41570	460-3-60	5.4	42	11.4	3/4	1/2	13.969	4.125	15.8	YES	N/A	N/A	80.0	
S1-01504774001	H22J413DBFA	40428	575-3-60	4.3	36	11.63	3/4	1/2	13.969	4.125	15.8	YES	N/A	N/A	80.0	
S1-01504775001	H22J413DBLA	40546	230/200-3-60	11	88	11.84	3/4	1/2	13.969	4.125	15.8	YES	N/A	N/A	80.0	
S1-01504776001	H22J413ABCA	40929	208/230-1-60	17.1	102	11.4	3/4	1/2	13.969	4.125	15.8	YES	50/370	216-259/330	84.0	
S1-01504777001	H22J443DBDA	44126	230/208-3-60	11.7	88	11.4	3/4	1/2	13.969	4.125	15.8	YES	N/A	N/A	80.0	
S1-01504778001	H22J443DBEA	44126	460-3-60	5.8	42	11.74	3/4	1/2	13.969	4.125	15.8	YES	N/A	N/A	80.0	
S1-01504779001	H22J443DBFA	44126	575-3-60	4.6	36	11.74	3/4	1/2	13.969	4.125	15.8	YES	N/A	N/A	80.0	
S1-01504780001	H22J443ABCA	44325	208/230-1-60	17.8	102	11.4	3/4	1/2	13.969	4.125	15.8	YES	65/370	216-259/330	84.0	



* **NOTE:** When substituting compressors always check the capacitor MFD and voltage (when required) and replace if necessary. the capacitor **MUST** be the proper MFD and voltage for the compressor.

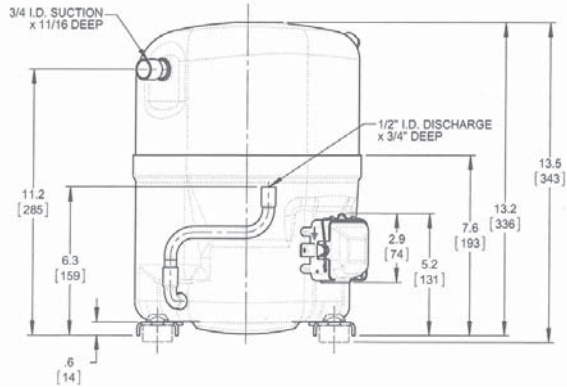
Compressors

BRISTOL COMPRESSORS

HCRB Series

"Like for Like" Replacement for Copeland CR Series

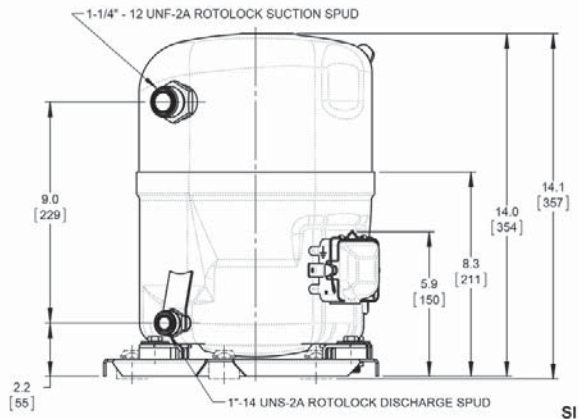
SOURCE 1 PART NO.	BRISTOL MODEL NO.	CAPACITY BTUH	V-PH-HZ	RLA	LRA	EER	SUCT ID (IN.)	DISC ID (IN.)	MLP \$
S1-01504804002	HCRB143ABCA	14100	230/208-1-60	5.8	48	10.4	3/4	1/2	
S1-01504805002	HCRB183ABCA	18300	230/208-1-60	7.4	48	10.7	3/4	1/2	
S1-01504806002	HCRB223ABCA	22600	230/208-1-60	9.4	60	10.7	3/4	1/2	
S1-HCRB243ABCA	HCRB243ABCA	24200	230/208-1-60	9.6	61	10.9	3/4	1/2	
S1-HCRB283ABCA	HCRB283ABCA	28800	230/208-1-60	12.1	73	10.9	3/4	1/2	
S1-HCRB303ABCA	HCRB303ABCA	29900	230/208-1-60	12.1	82	11	3/4	1/2	
S1-HCRB323ABCA	HCRB323ABCA	30855	230/208-1-60	13.1	82	10.9	3/4	1/2	
S1-HCRB353ABCA	HCRB353ABCA	35700	230/208-1-60	15	86	10.9	3/4	1/2	



HTR Series

Trane Drop-In Replacement Compressors

SOURCE 1 PART NO.	BRISTOL MODEL NO.	CAPACITY BTUH	V-PH-HZ	RLA	LRA	EER	SUCT ID (IN.)	DISC ID (IN.)	MLP \$
S1-HTRB183ABCS	HTRB183ABCS	17800	230-1-60	7.6	48	10.3	1.25	1	
S1-HTRB253ABCS	HTRB253ABCS	23000	230-1-60	9.6	61	10.4	1.25	1	
S1-HTRJ243ABCT	HTRJ243ABCT	23000	230-1-60	9.7	78	10.69	1.75	1.25	
S1-HTRJ303ABCT	HTRJ303ABCT	28200	230-1-60	11.6	78	10.77	1.75	1.25	
S1-HTRJ363ABCT	HTRJ363ABCT	34200	230-1-60	14.1	86	10.9	1.75	1.25	



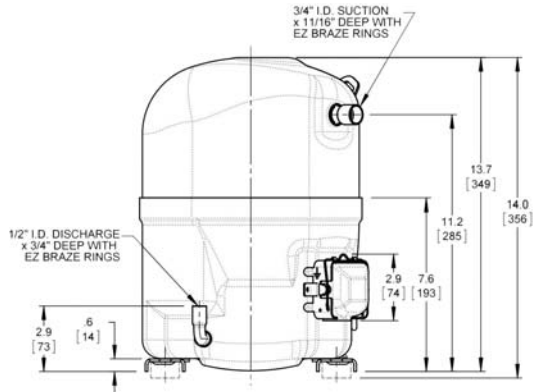
Compressors

BRISTOL COMPRESSORS

HBST Series

The Beast Compressors

SOURCE 1 PART NO.	BRISTOL MODEL NO.	CAPACITY BTUH	V-PH-HZ	RLA	LRA	EER	SUCT ID (IN.)	DISC ID (IN.)	MLP \$
S1-HBST183ABCA	HBST183ABCA	17300	230/208-1-60	7.4	55	10.2	3/4	1/2	
S1-HBST223ABCA	HBST223ABCA	23700	230/208-1-60	9.7	66	10.7	3/4	1/2	
S1-HBST283ABCA	HBST283ABCA	28600	230/208-1-60	12.5	72	10.7	3/4	1/2	
S1-HBST323ABCA	HBST323ABCA	31500	230/208-1-60	13.6	83	10.4	3/4	1/2	
S1-HBST353ABCA	HBST353ABCA	35500	230/208-1-60	15.6	88	10.2	3/4	1/2	



BRISTOL COMPRESSOR ACCESSORIES

Crankcase Heaters (CCH)

For Bristol Application



FIG. 1



FIG. 2



FIG. 3

SOURCE 1 PART NO.	TYPE	FIG.	LENGTH OF ELEMENT	VOLTS	WATTS	USED WITH COMPRESSOR	MLP \$
S1-02515525702	WRAP AROUND	2	27 - 33	240	54	MEASURE CIRCUMFERENCE OF COMPRESSOR	
S1-02517043700	WRAP AROUND	2	41 - 47	240	75	MEASURE CIRCUMFERENCE OF COMPRESSOR	
S1-02519961701	WRAP AROUND	2	24 - 30	240	45	MEASURE CIRCUMFERENCE OF COMPRESSOR	
S1-02531958000	WRAP AROUND	3	22 - 26	575	70	ALL H20 & H21 UP TO 5 TONS	
S1-02531959000	WRAP AROUND	2	22 - 26	240	70	ALL H20 & H21 UP TO 5 TONS	
S1-02531960000	WRAP AROUND	3	22 - 26	480	80	ALL H20 & H21 UP TO 5 TONS	
S1-02532895000	INSERTION	1	N/A	100 - 600	27*	ALL EXCEPT H20, H21 & H29	
S1-02533326000	INSERTION	1	N/A	100 - 600	30*	ALL EXCEPT H20 & H21	
S1-02533474240	WRAP AROUND	2	29 - 36	240	90	ALL H20 & H21 UP TO 5 TONS	
S1-02533474480	WRAP AROUND	2	29 - 36	480	90	ALL H20 & H21 UP TO 5 TONS	
S1-02541000000	WRAP AROUND	2	19 - 22	240	40	ALL H20 & H21 UP TO 5 TONS	

If in doubt, use 47 watts

NOTE: For proper application of insertion type CCH, heat conductive compound S1-01301502000 (available from SOURCE 1) or equivalent must be used.

Rotolock Adapter Kits



SOURCE 1 PART NO.	DESCRIPTION	MLP \$
S1-BC-309207	KIT,COMP,HTRB ROTOLOK ADAPTER	
S1-BC-309208	KIT,COMP,HTRJ ROTOLOK ADAPTER	

Compressors

BRISTOL COMPRESSOR ACCESSORIES

Premier Compressor Blankets

For Noise Suppression

Features:

- Vinyl w/1/2 inch foam backing
- 1 inch wide velcro fasteners
- Die cut for proper fit
- UL recognized materials

SOURCE 1 PART NO.	FITS COMPRESSOR MODEL NO.	MLP \$
S1-01004620000	H23 & H24B – ALL MODELS	
S1-01004621000	H29B – ALL MODELS	
S1-01004664000	H20, H21C & R – 4 TO 6-1/3 TONS	
S1-01005499000	H20, H21C & R – UP TO 3-1/2 TONS	
S1-01005669000	H23 & H24A 383 AND SMALLER	
S1-01005827000	H23 & H24A 423 AND LARGER	
S1-01006662000	H29A – ALL MODELS	

Scott Mfg. “Acousticap” Compressor Blankets

For Noise Suppression

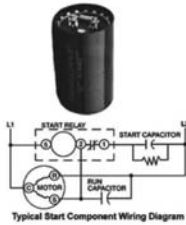
Features:

- Superior noise reduction (NRC = 85)
- Molded closed cell foam shell w/acoustical liner
- Snap fasteners for ease of installation (some modification may be required)
- UL recognized materials

SOURCE 1 PART NO.	FITS COMPRESSOR MODEL NO.	MLP \$
S1-01005977000	H23, H24, H25, 27A & 87A – ALL MODELS	
S1-01005979000	H20 & H21C – ALL MODELS / H20 & H21R 483 AND SMALLER	
S1-01005980000	H23, H24, H25 & H26B – ALL MODELS	

High Torque Start Components

Note: Compressor starting characteristics are definite. these high torque starting components are listed for Bristol compressors only. Do not attempt to cross reference to other manufacturers.



SOURCE 1 PART NO.	COMPRESSOR MODEL NO.	MFD/VAC	MLP \$
S1-02425071700	H24A423ABCA	145-175/250	
S1-02425071700	H23A303ABCA	145-175/250	
S1-02425071700	H23A323ABCA	145-175/250	
S1-02425071700	H23A353ABHA	145-175/250	
S1-02425071700	H23A423ABCA	145-175/250	
S1-02425071700	H24A383ABCA	145-175/250	
S1-02425071700	H23A383ABCA	145-175/250	
S1-02425071700	H23A353ABCA	145-175/250	
S1-02425075700	H23B18SABCA	161-193/250	
S1-02425075700	H23B17SABCA	161-193/250	
S1-02425191700	H23B243ABCA	88-108/250	
S1-02425191700	H23B303ABCA	88-108/250	
S1-02425191700	H23B19QABKA	88-108/250	
S1-02425191700	H23B283ABHA	88-108/250	
S1-02425191700	H23B28SABCA	88-108/250	
S1-02425191700	H23B223ABHA	88-108/250	
S1-02425191700	H23B263ABCA	88-108/330	
S1-02425191700	H24B20QABKA	88-108/250	
S1-02425191700	H23B26QABKA	88-108/250	
S1-02425191700	H23B153ABHA	88-108/250	
S1-02425191700	H24B26QABHA	88-108/250	
S1-02425191700	H23B22SABCA	88-108/250	
S1-02425191700	H23B35QABKA	88-108/250	
S1-02425191700	H23B223ABCA	88-108/330	
S1-02425191700	H23B173ABCA	88-108/330	

* **NOTE:** When substituting compressors always check the capacitor MFD and voltage (when required) and replace if necessary. The capacitor **MUST** be the proper MFD and voltage for the compressor.